

Design CONE:

BS EN ISO 4126-1:2013+A2:2019

BS EN ISO 4126-7:2013+A1:2016

The provisions of 4.4 of the Container Regulations, Part IV

Nominal pressure : PN6

Shell test pressure: 0.9MPa

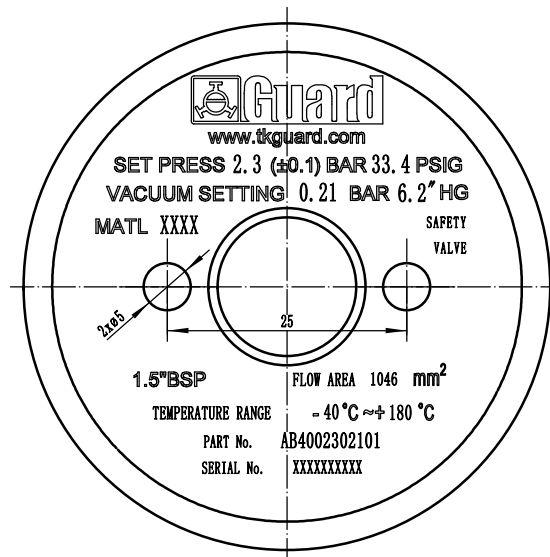
Design temperature: -40°C~+180°C

Applicable medium: Gas

Set pressure: 0.23 ±0.01 MPa

Reseating pressure: ≥0.20 Mpa

Mechanical properties: the relief valve should be free of frequency, flutter, and jam



| | | | | | | | |
|----------|----|-----------|---------------------------------|---|------------|--------------|--------------|
| DESIGN | 李阳 | 2025.9.30 | DESCRIPTION | | | Part No. | |
| DRAWN BY | 李阳 | 2025.9.30 | Relief Valve 2.3/0.21Bar-DN40 | | | AB4002302101 | |
| PROCESS | | | | | | MATERIAL | 316 |
| STANDARD | | | VERSION | A | PROJECTION | SCALE | 1.5:1 WEIGHT |
| CHECKED | | | Guard Guard Technology Co., Ltd | | | | |
| APPROVED | | | | | | | |